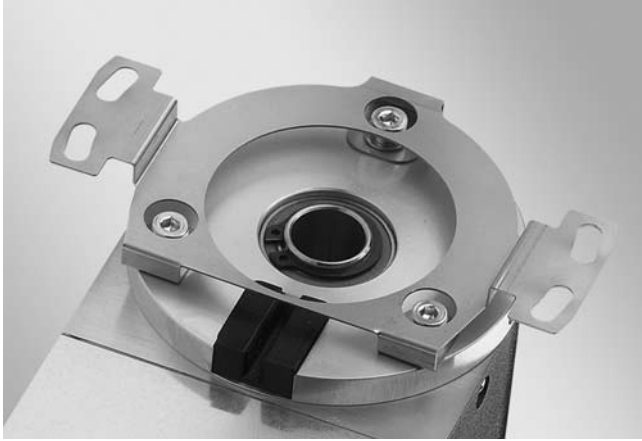


Accessories

Torque supports for hollow shaft encoders

Z 119.043



Features

- Hard spring coupling for high-dynamic applications

Mounting description

Fix spring coupling onto flange by help of the attached screws. Push encoder onto the drive shaft and mount Spring coupling onto the contact surface.

Part number

Z 119.043 Spring coupling for GX and G1

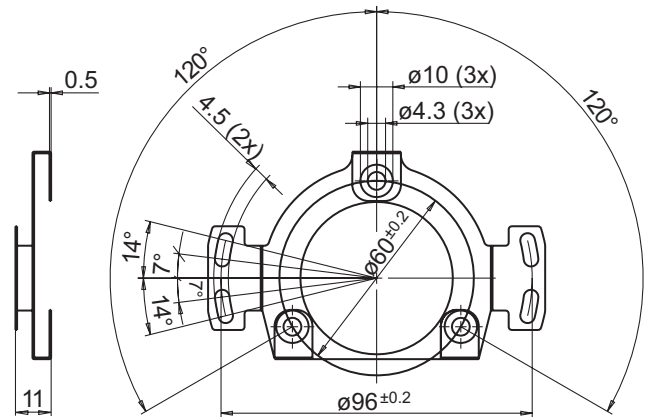
Scope of delivery

Included: spring coupling, seven screws M4 x 6 with seven lock washers

Suitable for

G110H, G110S, G1M2H, G1S2B, GXN1H, GXP1H, GXP6H, RXA1H

Dimensions



Dimension

